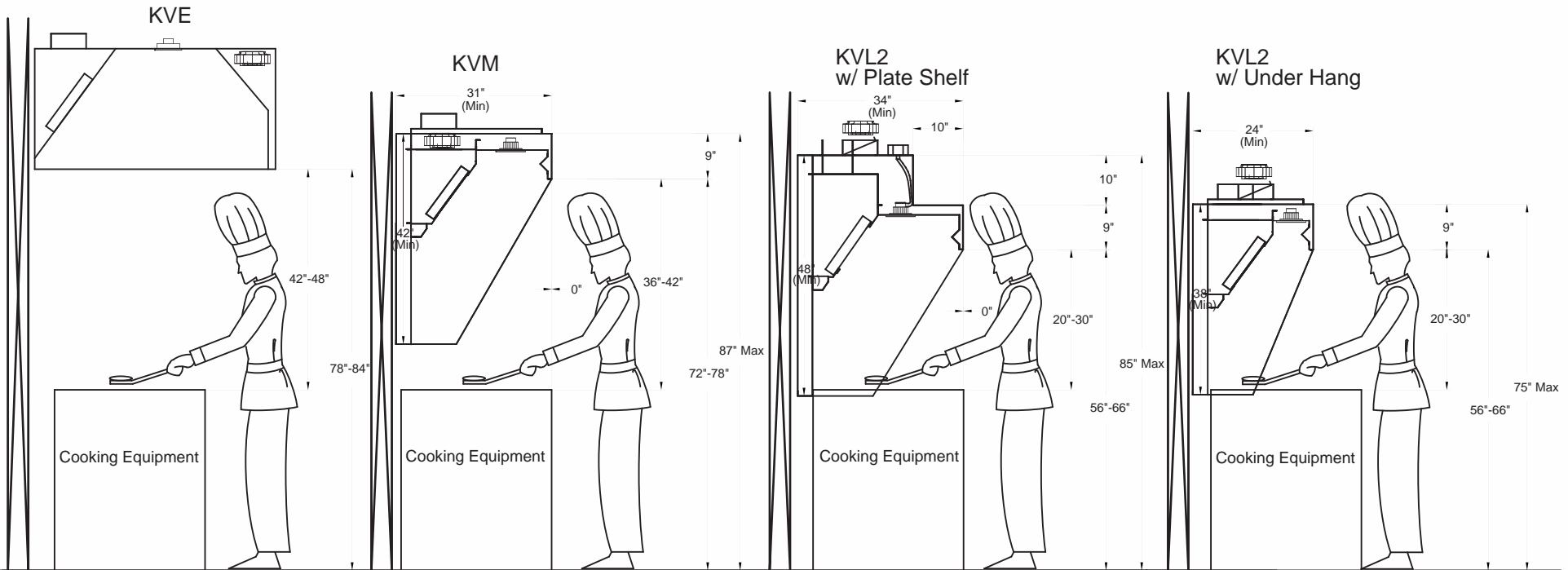


Capture Jet Profile Comparison



KVM

- * Internal CJ Fan
- * Flat Top - No Plate Shelf
- * LED's are Standard
- * Horizontal Overhang = 0"
- * Minimum Depth = 31"
- * No Wall Mount Equipment
- * No Shelving

**KVL2
w/ Plate Shelf**

- * External CJ Fan & Fire Damper
- * Plate Shelf
- * Horizontal Overhang = 0"
- * Minimum Depth = 34"
- * LEDs are Optional
- * No Wall Mount Equipment
- * No Shelving

**KVL2
w/ Under Hang**

- * External CJ Fan & Fire Damper
- * Flat Top - No Plate Shelf
- * Horizontal Overhang = -6"
- * Minimum Depth = 24"
- * LEDs are Optional
- * No Wall Mount Equipment
- * No Shelving

